

# INFORMATION ON SYSTEM STANDS

Here is all the necessary technical information on our system stand module which you can book with your registration!

All stand sizes are available to you on the basis of a unit size of 2 m x 2 m.

## The price for a system stand module includes:

- / carpet (rep, grey flecked)
- / rear walls as per width of your stand
- / 2 side walls as per depth of your stand
- / 4 bookshelves per m of wall
- / 1 bench cabinet per m of rear wall
- / 1 ceiling frame per 4 sqm incl. lighting strip and connection (1 kW)\*
- / support walls for stands > 8 qm (as structurally required)
- / stand nameplate if requested (please tick accordingly on registration form)
- / exhibitor passes (number based on stand size)

## When booking the system stand module, we also charge the obligatory flat fees:

- / environment and energy surcharge
- / cataloguing fee

These charges are included in the following price examples.

## With your registration you can also order:

- / additional stand elements
- / furniture sets

## Facelift for a tried-and-tested system – renovated stand system

After examining many alternatives, we have concluded that the stand system currently in use is unique in terms of its stability. Because of this, and also for reasons of sustainability, we have decided to retain the tried-and-tested system and to renovate it extensively. For this reason, in a phased process over the next few years, all the metal parts, from the ceiling frames to the bookshelves, will be given a new, high-quality coating. In elegant pearl grey, they will match the colour of the walls, thus ensuring a homogenous overall effect.

\* The socket is installed directly at the power rail on the ceiling grid. Additional kW supply with the installation of connections must be ordered from our official site electrician (Stähler), who will charge separately for this supply and work. Please find contact data at [www.book-fair.com/service\\_contractors](http://www.book-fair.com/service_contractors)

# EXAMPLES OF SYSTEM STAND MODULES

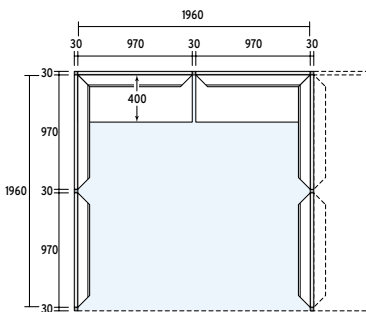
(The bookshelves are not shown in the perspective diagrams.)

## 1. SYSTEM STAND 4 SQM

Dimensions (d x w): 2 x 2 m – Size: 4 sqm

Inner dimensions: 1.96 x 1.96 m

Prices:\* € 1,122.– (standard price)  
€ 1,094.– (early bird price)

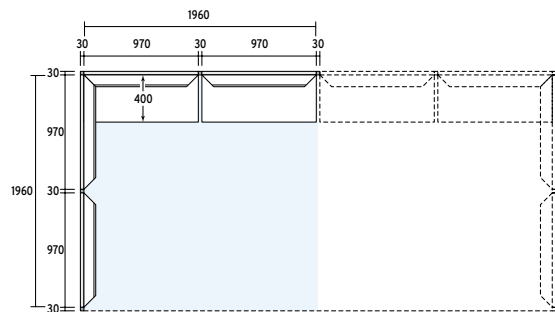


## 2. SYSTEM STAND 4 SQM OPEN TO NEIGHBOURING STAND

Dimensions (d x w): 2 x 2 m – Size: 4 sqm

Inner dimensions: 1.96 x 1.96 m

Prices:\* € 979.– (standard price)  
€ 953.– (early bird price)



\* Price examples include rental for floor space and system stand, the environment and energy surcharge and cataloguing fee for the main exhibitor. Additional charges for co-exhibitors are not included in the above prices, but will be charged separately. All prices are subject to Value Added Tax at the applicable official rate.

# EXAMPLES OF SYSTEM STAND MODULES

(The bookshelves are not shown in the perspective diagrams.)

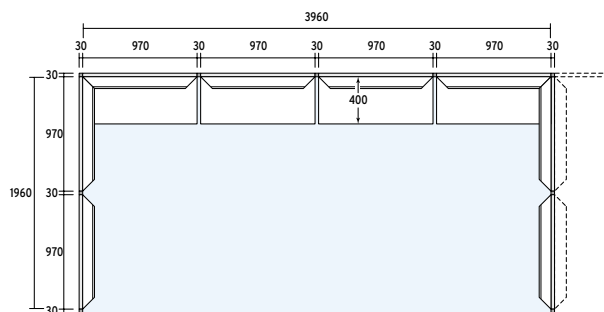
## 3. SYSTEM STAND 8 SQM

Dimensions (d x w): 2 x 4 m – Size: 8 sqm

Inner dimensions: 1.96 x 3.96 m

Prices: \* € 3,122.– (standard price)

€ 3,066.– (early bird price)



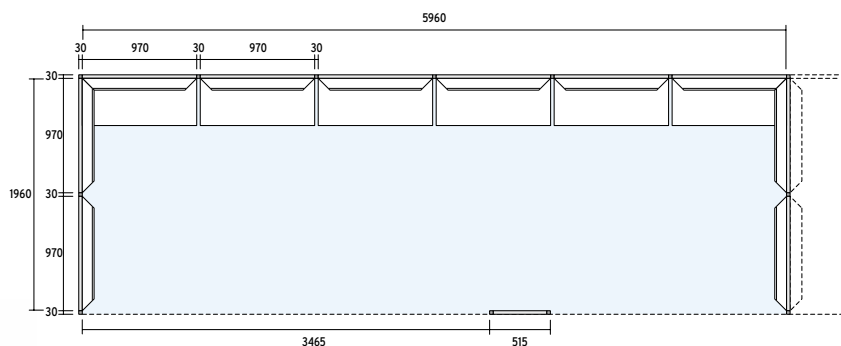
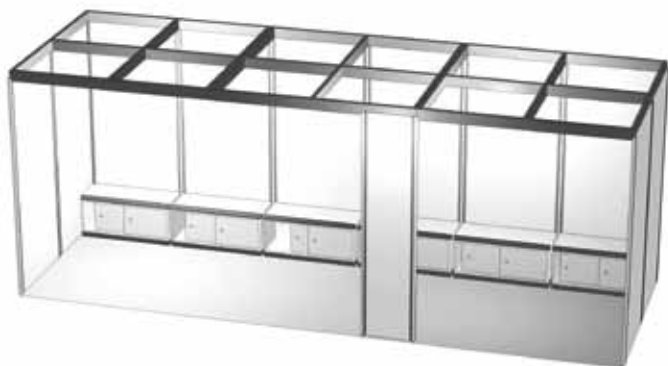
## 4. SYSTEM STAND 12 SQM

Dimensions (d x w): 2 x 6 m – Size: 12 sqm

Inner dimensions: 1.96 x 5.96 m

Prices: \* € 5,356.– (standard price)

€ 5,200.– (early bird price)



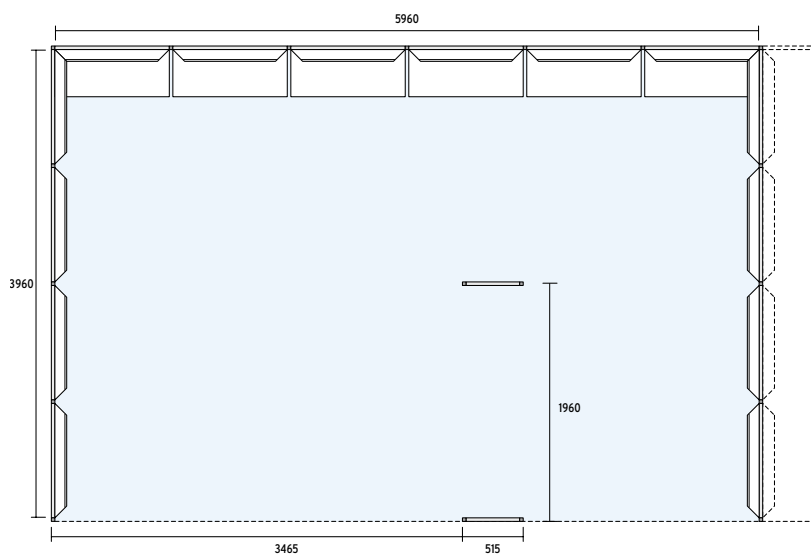
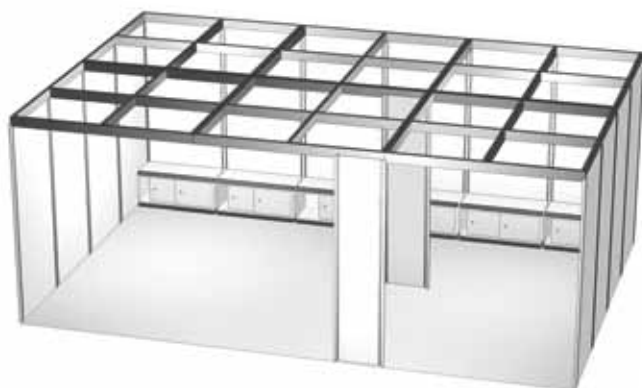
## 5. SYSTEM STAND 24 SQM

Dimensions (d x w): 4 x 6 m

Size: 24 sqm – Inner dimensions: 3.96 x 5.96 m

Prices: \* € 10,642.– (standard price)

€ 10,330.– (early bird price)

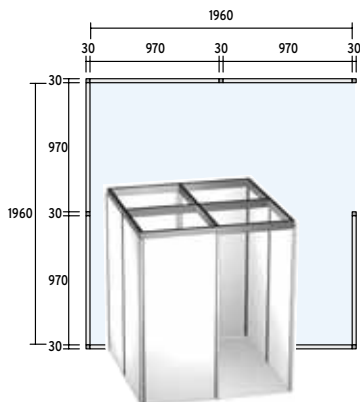


# SUPPLEMENTARY STAND ELEMENTS FOR SYSTEM STAND MODULES

You can order the following stand elements to add to your system stand module:

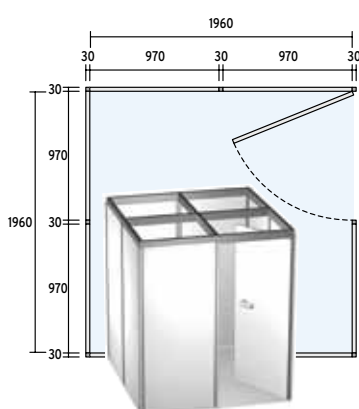
## CUBICLE WITHOUT DOOR

Size: 2 x 2 m, Price: \* € 369.-



## CUBICLE WITH DOOR

Size: 2 x 2 m, Price: \* € 665.-



## HALF-OPEN WALL

Size: 2 m, Price: \* € 178.-



Please always indicate on your registration form where you wish to place the respective stand element within your stand.

Always take the position viewed from the front left-hand corner of your stand as from the gangway.

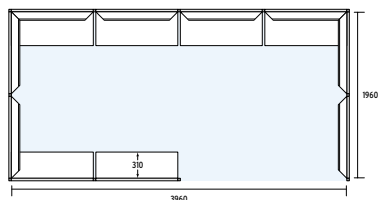
\* All prices are subject to Value Added Tax at the applicable official rate.

## EXAMPLES OF SYSTEM STAND MODULES WITH SUPPLEMENTARY STAND ELEMENTS

(The bookshelves are not shown in the perspective diagrams.)

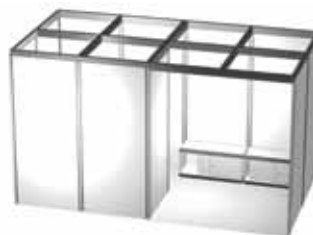
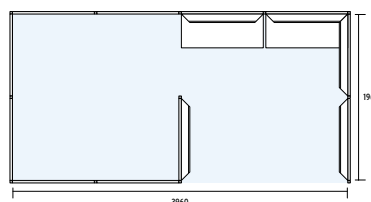
### 1. SYSTEM STAND WITH HALF-OPEN WALL, LEFT

Dimensions (d x w): 2 x 4 m – Size: 8 sqm



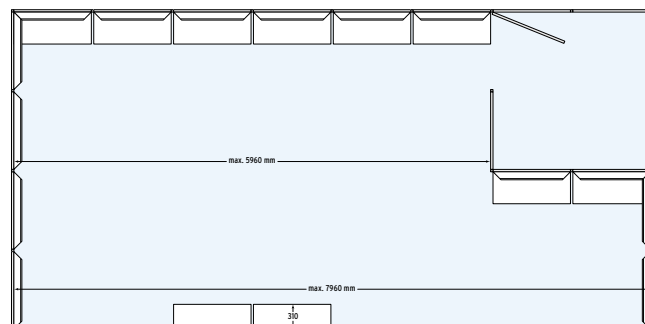
### 2. SYSTEM STAND WITH CUBICLE WITHOUT DOOR, LEFT

Dimensions (d x w): 2 x 4 m – Size: 8 sqm



### 3. SYSTEM STAND WITH HALF-OPEN WALL, 2 M FROM LEFT + CUBICLE WITH DOOR, REAR RIGHT

Dimensions (d x w): 4 x 8 m – Size: 32 sqm



There are of course other possible variations, as your contact partner in the exhibitor services team will be pleased to explain to you.

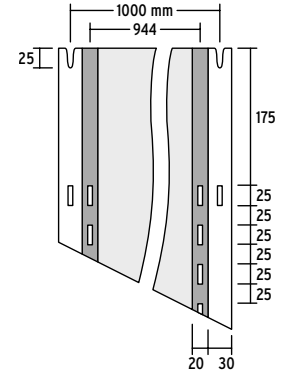
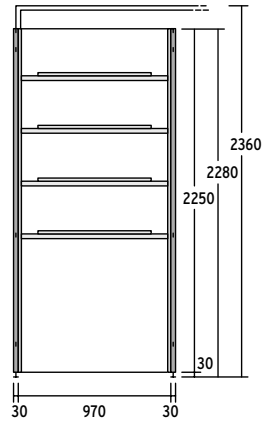
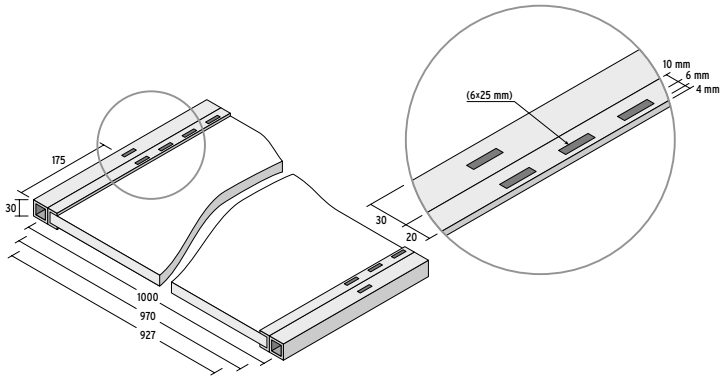
You can also obtain all information and forms at [www.book-fair.com](http://www.book-fair.com).

# EXACT DIMENSIONS SYSTEM STAND MODULE

(Please allow for a tolerance of +/- 10 mm.)

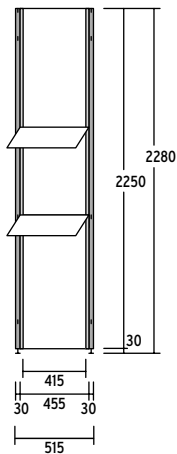
## WALL ELEMENT

d = 24 mm, h = 2250 mm, w = 927 mm

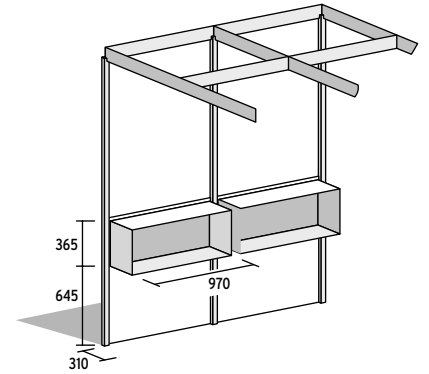
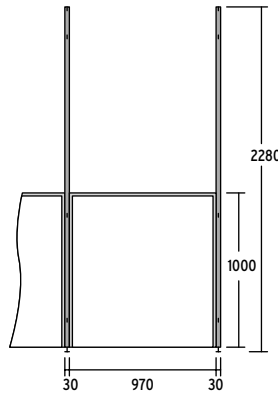


## SUPPORT WALL

d = 24 mm  
h = 2250 mm  
w = 415 mm  
with two leaflet racks

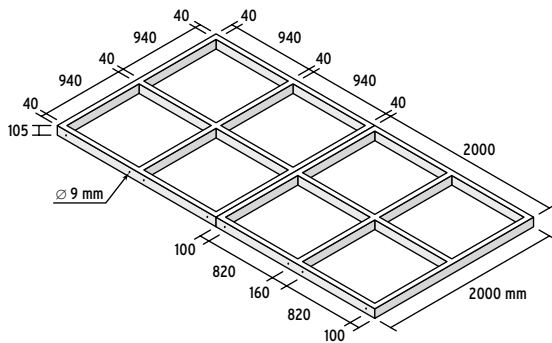


## HALF-OPEN WALL (SUPPLEMENTARY STAND ELEMENT)



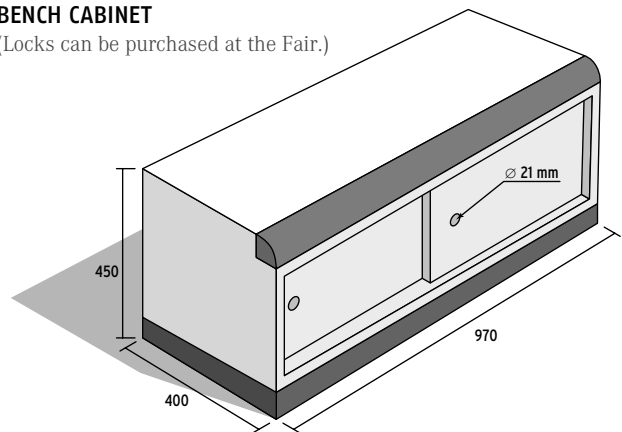
## CEILING FRAME

Two adjacent ceiling frames each with lighting track across the top

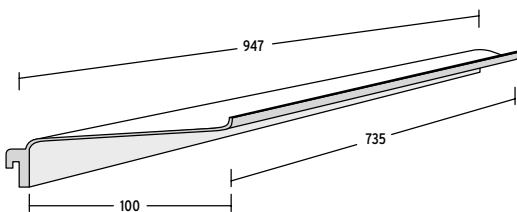


## BENCH CABINET

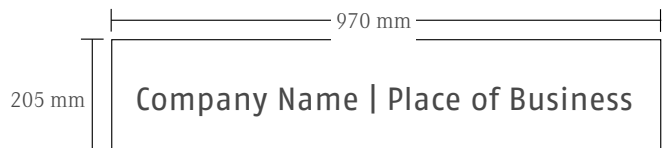
(Locks can be purchased at the Fair.)



## BOOKSHELVES



## STAND NAMEPLATE



# SAMPLE PICTURES FOR SYSTEM STAND MODULES



# STANDARD FURNISHING FOR SYSTEM STAND MODULES

We offer the following furnishing sets for our system stand modules. Quality and choice of colour correspond to standard comparable new items. Standard furniture sets can be ordered on the registration form for a stand by ticking the respective option.



Chair



Table



Wastepaper basket



Spotlight

	Chair	Table	Wastepaper basket	Spotlight	
Furniture Set 1	2	1	1	2	€ 172.-
Furniture Set 2	3	1	1	4	€ 277.-
Furniture Set 3	6	2	2	6	€ 460.-
Furniture Set 4	6	2	2	8	€ 544.-
Furniture Set 5	9	3	2	10	€ 697.-

Your contracting partner for these orders is the Frankfurt Book Fair. If you wish to order additional single pieces of furniture or additional wide-angle spotlights, please get in touch directly with:

**Messe Frankfurt Medien und Service GmbH**  
 Mietmöbel und Bodenbeläge  
 Ludwig-Erhard-Anlage 1  
 60327 Frankfurt am Main  
 Germany  
 Phone: +49 (0) 69 7575-6001, -6570, -5839  
 Fax: +49 (0) 69 7575-6285  
 E-mail: [ausstattung@messefrankfurt.com](mailto:ausstattung@messefrankfurt.com)

### Fully customised system stand

Colour schemes, presentation elements, bars and seating: for customisable fixtures, fittings, and additional services, please see page 20 for more information.

From 2012, to fit the system stands, we will also be offering package deals for technical equipment (TFT screens with mounting brackets, connection cables, beamers).

In addition, from early in 2012 you can find addresses and order forms for service contractors on our web-site: [www.buchmesse.de/service\\_contractors](http://www.buchmesse.de/service_contractors)

# INTERESTED IN A FAIR PRESENCE THAT'S SIMPLE BUT STILL PERSONALISED? WE CAN HELP!

## New services at the Frankfurt Book Fair:

Get everything from one provider! Give your stand a personal touch by adding coloured wall panels, for example, or individualised flooring. Or pick and choose from our counter, seating and presentation elements. Are there other services you need? Just let us know!

## Your individual stand advisor

at the Frankfurt Book Fair:

Ursula Fecske

Phone: +49 (0) 69 2102-206

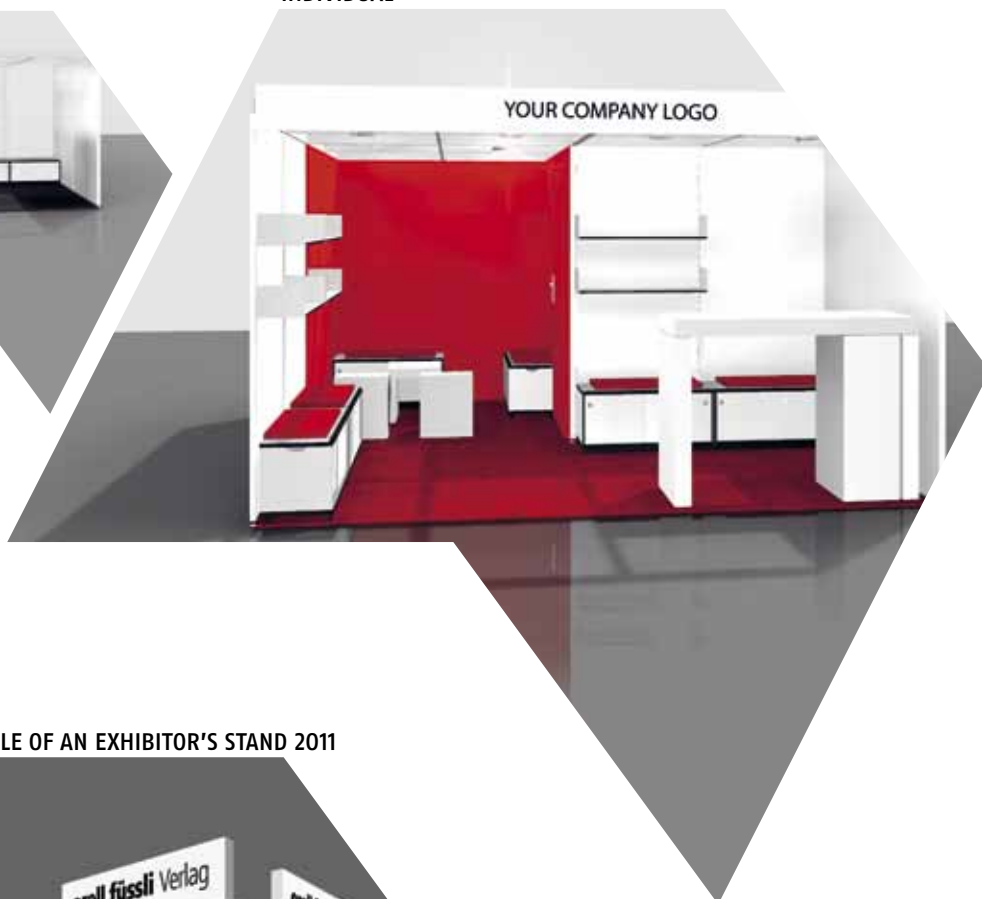
E-mail: [fecske@book-fair.com](mailto:fecske@book-fair.com)



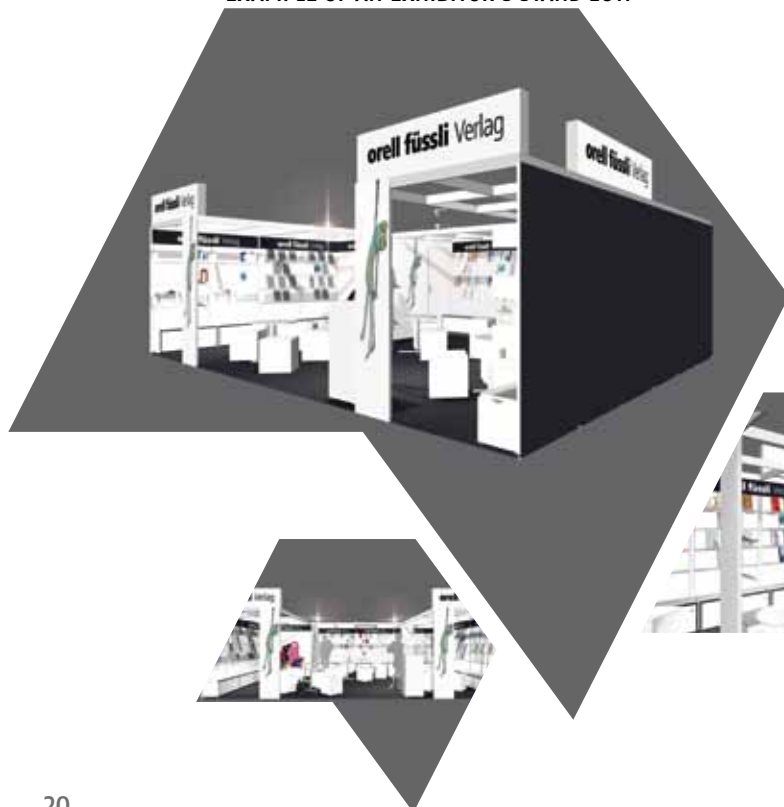
STANDARD



INDIVIDUAL



EXAMPLE OF AN EXHIBITOR'S STAND 2011



For more information:  
[www.book-fair.com/fair-presence](http://www.book-fair.com/fair-presence)